



# Incremental rotary encoder TVI40N

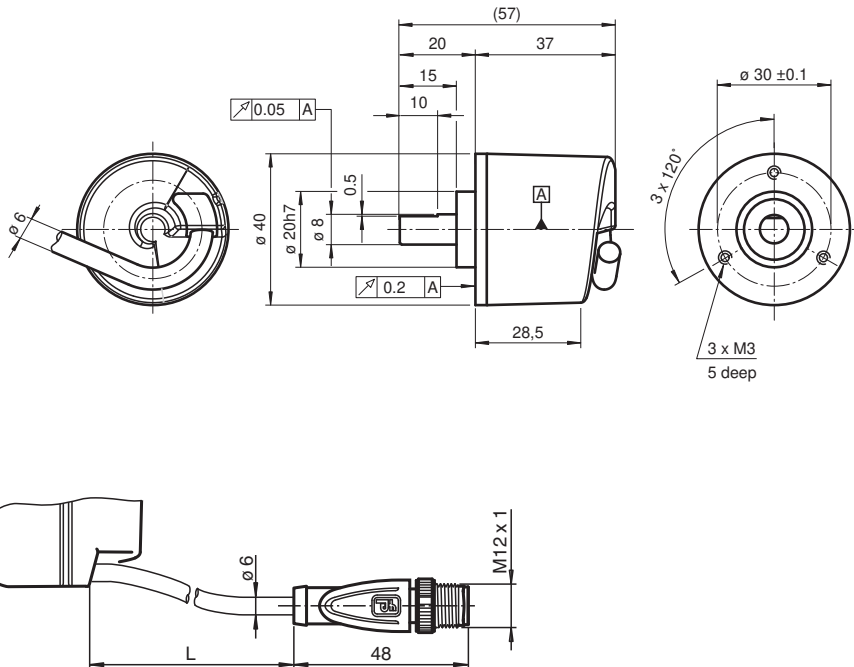
- Compact design
- Up to 1024 ppr
- 4.75 V ... 30 V with short-circuit proof push-pull output
- RS 422 functionality at 5 V operation
- Tangential cable outlet



## Function

The TVI40 continues the new economical target line of Pepperl+Fuchs. With a small outside diameter of 40 mm, the unit is ideal for use in industrial areas where very little space is available. The technology of the rotary encoder is adapted to the new requirements of the rotary encoder market. Innovative fast technology with Opto-ASIC forms the central basis of the device. The rotary encoder is available with a pulse count of up to 1024 pulses per revolution.. The rotary encoder provides the ideal combination of non-sensitivity to temperature and high resolution. The appearance of this rotary encoder is the tangential cable outlet. This ensures a buckling-free, carefully laying of the connection cable in tangential, radial or axial manner.

## Dimensions



## Technical Data

### General specifications

Detection type	photoelectric sampling
Pulse count	max. 1024

### Functional safety related parameters

Release date: 2024-10-24 Date of issue: 2024-10-24 Filename: t39661\_eng.pdf

Refer to "General Notes Relating to Pepperl+Fuchs Product Information".

Pepperl+Fuchs Group  
www.pepperl-fuchs.com

USA: +1 330 486 0001  
fa-info@us.pepperl-fuchs.com

Germany: +49 621 776 1111  
fa-info@de.pepperl-fuchs.com

Singapore: +65 6779 9091  
fa-info@sg.pepperl-fuchs.com

**PEPPERL+FUCHS**

## Technical Data

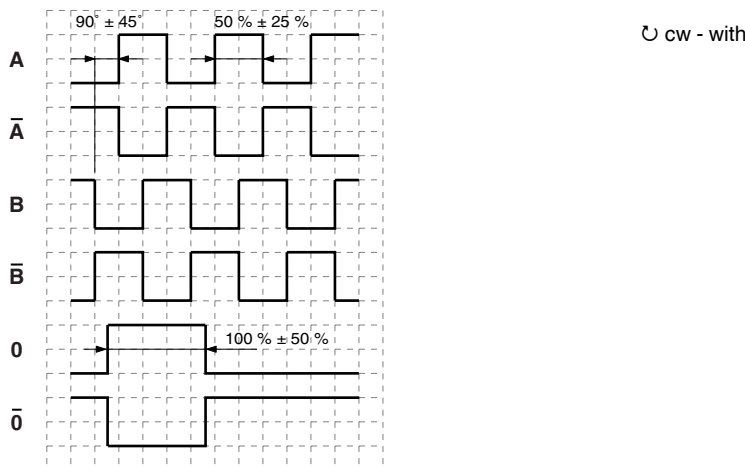
MTTF <sub>d</sub>		140 a
Mission Time (T <sub>M</sub> )		20 a
Diagnostic Coverage (DC)		0 %
<b>Electrical specifications</b>		
Operating voltage	U <sub>B</sub>	4.75 ... 30 V DC 5 V DC for RS-422
No-load supply current	I <sub>0</sub>	max. 55 mA
<b>Output</b>		
Output type		push-pull, incremental or RS-422, incremental
Voltage drop	U <sub>d</sub>	≤ 2.5 V (< 2.5 V)
Load current		max. per channel 30 mA , short-circuit protected (max. per channel 20 mA, conditionally short-circuit proof)
Output frequency		max. 100 kHz (max. 100 kHz)
Rise time		980 ns (225 ns)
De-energized delay	t <sub>off</sub>	980 ns (225 ns)
<b>Connection</b>		
Cable		Ø6 mm, 8 x 0,128 mm <sup>2</sup> connection with plug M12, 8-pin, L = 0.2 m
<b>Standard conformity</b>		
Degree of protection		DIN EN 60529, IP54
Climatic testing		DIN EN 60068-2-3, no moisture condensation
Emitted interference		EN IEC 61000-6-4:2019
Noise immunity		EN IEC 61000-6-2:2019
Shock resistance		DIN EN 60068-2-27, 100 g, 6 ms
Vibration resistance		DIN EN 60068-2-6, 10 g, 10 ... 2000 Hz
<b>Approvals and certificates</b>		
UL approval		cULus Listed, General Purpose, Class 2 Power Source
Maximum permissible ambient temperature		max. 60 °C (max. 140 °F)
<b>Ambient conditions</b>		
Operating temperature		-10 ... 70 °C (14 ... 158 °F)
Storage temperature		-25 ... 85 °C (-13 ... 185 °F)
<b>Mechanical specifications</b>		
Material		
Housing		Polycarbonate
Flange		3.1645 aluminum
Shaft		Stainless steel 1.4305 / AISI 303
Mass		approx. 180 g
Rotational speed		max. 6000 min <sup>-1</sup>
Moment of inertia		≤ 4.3 gcm <sup>2</sup>
Starting torque		≤ 0.2 Ncm
Shaft load		
Axial		max. 20 N
Radial		max. 30 N
Dimensions		
Length		42 mm
Diameter		40 mm
Life span		≥ 2 x 10 <sup>9</sup> revolutions (max. shaft loading)

**Connection**

Signal	For cable Ø6 mm, 8-core Color	For cable connector M12, 8-pin Pin
GND	Blue	1
+U <sub>b</sub>	Brown	2
A	Black	3
$\bar{A}$	Violet	4
B	White	5
$\bar{B}$	Grey	6
0	Orange	7
$\bar{0}$	Yellow	8
Shield	-	-

**Operation**

**Signal outputs**



**Type Code**



**Pulse count** 25, 50, 60, 100, 150, 180, 200, 250, 360, 400, 500, 600, 1000, 1024

**Temperature range**  
N Normal

**Output switching**  
T 4.75 V ... 30 V, push-pull

**Signal output**  
6 A + B + 0 and  $\bar{A}$  +  $\bar{B}$  +  $\bar{0}$

**Exit position**  
T Tangential

**Connection type**  
**K0** Cable Ø6 mm, 8 x 0.128 mm<sup>2</sup>, 0.5 m  
**K2** Cable Ø6 mm, 8 x 0.128 mm<sup>2</sup>, 2 m  
**BI** Cable Ø6 mm, cable connector M12, 8-pin, 0.2 m

**Flange version**

Release date: 2024-10-24 Date of issue: 2024-10-24 Filename: t39661\_eng.pdf



**Shaft version**  
**V** Solid shaft

**Housing material**  
**N** Plastic

**Shaft dimension**  
**19** Shaft Ø1/8" x 15 mm  
**23** Shaft Ø5 mm x 15 mm  
**14** Shaft Ø6 mm x 15 mm  
**17** Shaft Ø1/4" x 15 mm  
**09** Shaft Ø8 mm x 15 mm

**T** Clamping flange

**Pulse count** 25, 50, 60, 100, 150, 180, 200,  
 250, 360, 400, 500, 600,  
 1000, 1024

**Temperature range**  
**N** Normal

**Output switching**  
**T** 4.75 V ... 30 V, push-pull